

數位微歐姆計

DIGITAL MILLIOHM TESTER



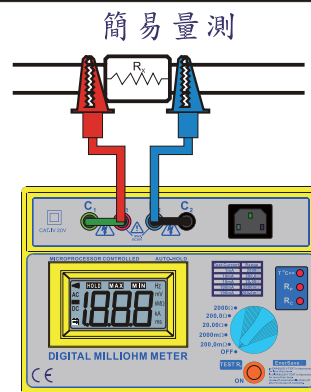
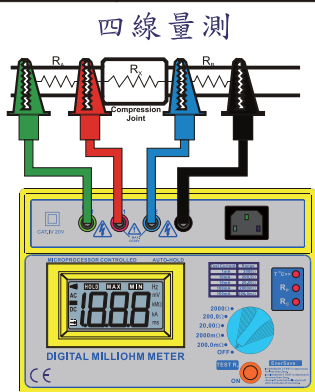
使用電源：110V/230V交流電壓

- 使用四個端點量測。
- 最低可量測至100uΩ。
- 量測檔位共分五檔。
- 過溫保護設計。
- 過壓保護設計。
- 寬廣型液晶顯示器。

使用電源：12V直流電壓

- 電源耗電微小。
- 自動讀值鎖定。
- 自動關機。
- 符合IEC/EN 61010-1。

量測範圍及解析度	0~200.0 mΩ (0.1 mΩ) 0~2000 Ω (1 mΩ) 0~20.00 Ω (0.01 mΩ) 0~200.0 Ω (0.1Ω) 0~2000 Ω (1Ω)
容許誤差	200.0 mΩ : ±(1%讀值+2位數) 2000 mΩ : ±(0.8%讀值+2位數) 20.00/200.0/2000 Ω±(0.7%讀值+2位數)
測試電流	1 mA-2000 Ω檔 10 mA-200.0/20.00 Ω檔 100 mA-2000/200.0 mΩ檔
電流容許誤差	±0.1%
保險絲	總保護：0.5A HBC 5 x 20mm 電流：1A HBC 5 x 20mm 電壓：0.5A HBC 5 x 20mm
操作溫濕度	0°~40°C；最大相對濕度80%
儲存溫濕度	-10°~50°C；最大相對濕度90%
外形尺寸	250(長) x 190(寬) x 110(高)mm
重量	4136 mO：約1530克 4137 mO：約1500克
附件	測試線 x 1(組) · 肩帶 x 1(條) · 說明書 x 1(本) · 1.5V(AA) x 8(個)-4137 mO





CE

Power Source : 110VAC or 230VAC

4136mO

FEATURES

- Four terminal measurement.
- Measures down to 100uΩ.
- 5 Ranges from 200.0mΩ to 2000Ω.
- Minimum resolution of 100uΩ.
- Three test current with over-temperature protection.
- Protection against inadvertent connection to over-voltage.
- Large LCD.
- Potential lead resistance, current lead resistance checks.
- "Full-Featured" EnerSave™ inside.
- EnerSave™ AUTO-HOLD.
- EnerSave™ AUTO-OFF.
- Lightweight, robust & compact.
- Indicators show if reading may be invalid (R_p , R_c , and temperature).
- "O-Ring" sealed case.
- Future optional rechargeable battery.
- IEC/EN 61010-1



CE

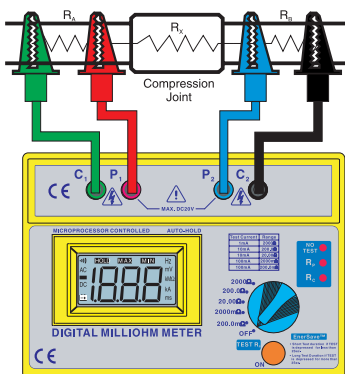
Power Source : 12VDC

4137mO

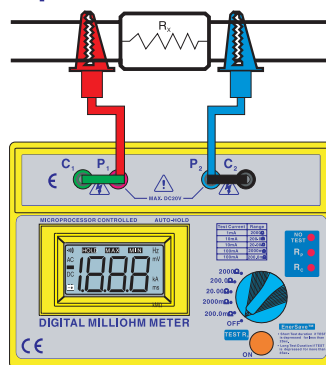
SPECIFICATIONS

Measuring Ranges	0-200.0mΩ in steps of 100uΩ 0-2000mΩ in steps of 1mΩ 0-20.00Ω in steps of 10mΩ 0-200.0Ω in steps of 100mΩ 0-2000Ω in steps of 1Ω
Accuracy	±0.5% of reading ±2 digits over the operating temperature range, -15°C to +55°C, with the supplied test leads
Test Current	1mA =>2000 Ω range 10mA =>200/ 20 Ω ranges 100mA =>2000m / 200m Ω ranges
Test Current Accuracy	±0.1%
Protection Fuses	Mains = 0.5A, HBC, 5 x 20mm, DIN Current = 0.5A, HBC, 5 x 20mm, DIN Voltage = 0.5A, HBC, 5 x 20mm, DIN
Maximum Output Voltage (C1-C2)	20V
Dimensions	250(L) x 190(W) x 110(D)mm
Weight	4136mO:1530 g 4137mO:1500 g
Accessories	Test Leads Instruction manual Shoulder belt (BET-2800) 1.5V(AA) x 8 Batteries(4137mO)

4 Terminal Test



Simplified Measurement



TEL-4136C



ISL-2811(only 4136 mO)

STANDARD ELECTRIC WORKS CO., LTD.

5F.,NO.105, Jhongcheng Rd., Tucheng Dist.,
New Taipei City 23674, Taiwan (R.O.C.)

TEL: 886-2-22681528 FAX: 886-2-22681529
http://www.sew.com.tw e-mail: sales@sew.com.tw

<http://www.51082245.com/sew.htm>