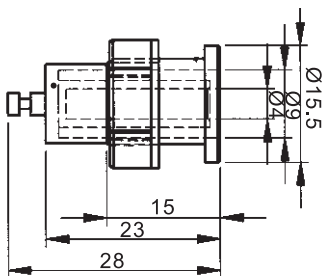
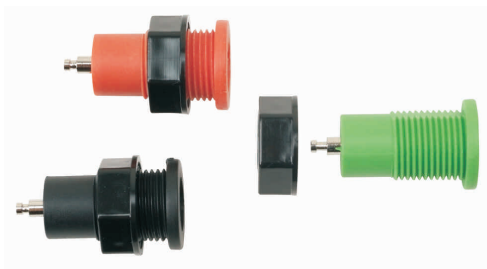


## TER-6200



材質：尼龍

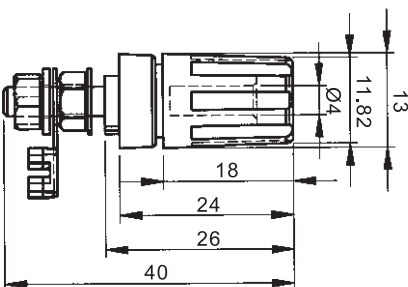
- 遮蔽式的4mm插孔
- 供配電盤面安裝或儀器製造用

TEL-6200B(黑色)

TEL-6200R(紅色)

TER-6200G(綠色)

## TER-205

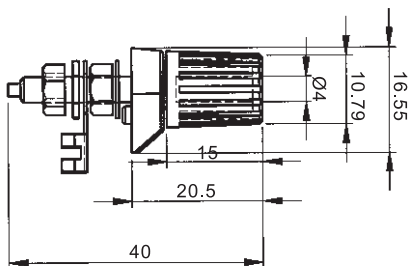
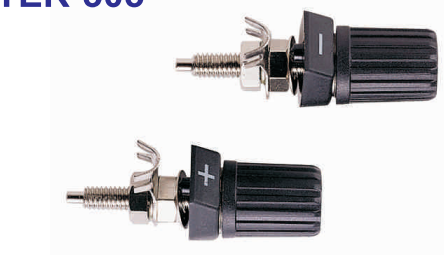


- 極插座的插孔為4mm
- 外套ABS塑膠，可旋轉，方便與測試線連接
- 金屬柱內有2mm小孔，供2mm探針連結用
- 基座部分為絕緣塑膠

TER-205B(黑色)

TER-205R(紅色)

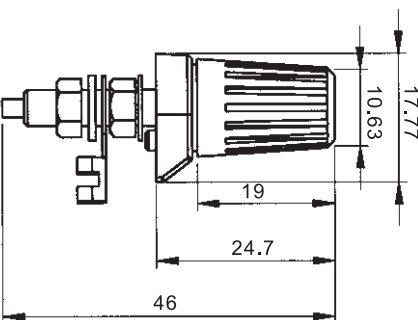
## TER-305



- 極插座的插孔為4mm
- 基座及外覆部分材質為電木
- 供製造連結插座用

TEL-305B (黑色)

## TER-2000



- 基座及外覆部分材質為電木
- 供製造連結座用



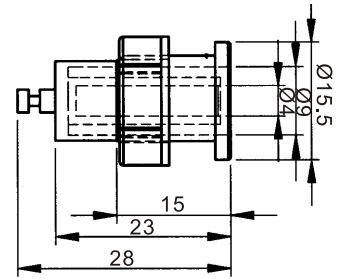
# STANDARD

# TERMINAL

## TER-6200



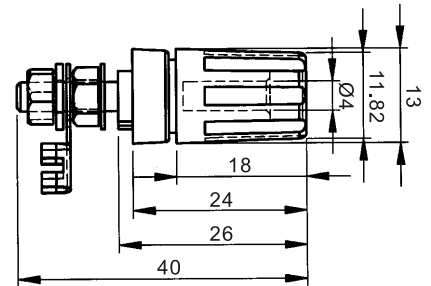
Sockets nylon  
4 m/m sockets with shrouded contact compatible with shrouded plugs and leads supplied with nuts for panel mounting.  
**TER-6200B Black,**  
**TER-6200R Red,**  
**TER-6200G Green**



## TER-205



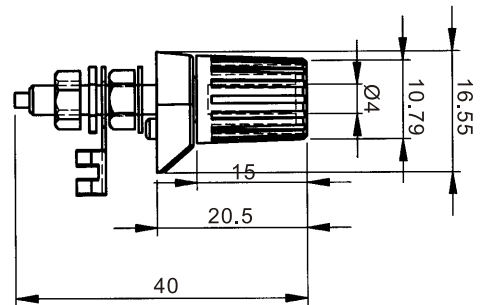
4 m/m sockets with insulated head and base for installation in unit.  
ABS resin head.  
**TER-205B Black**  
**TER-205R Red**



## TER-305



4 m/m banana socket captive head suitable for wire or pin-type test head bakelite material head and base.  
**TER-305B Black**



## TER-2000



5 m/m captive head suitable For wire or pin-type test head Bakelite material base.

